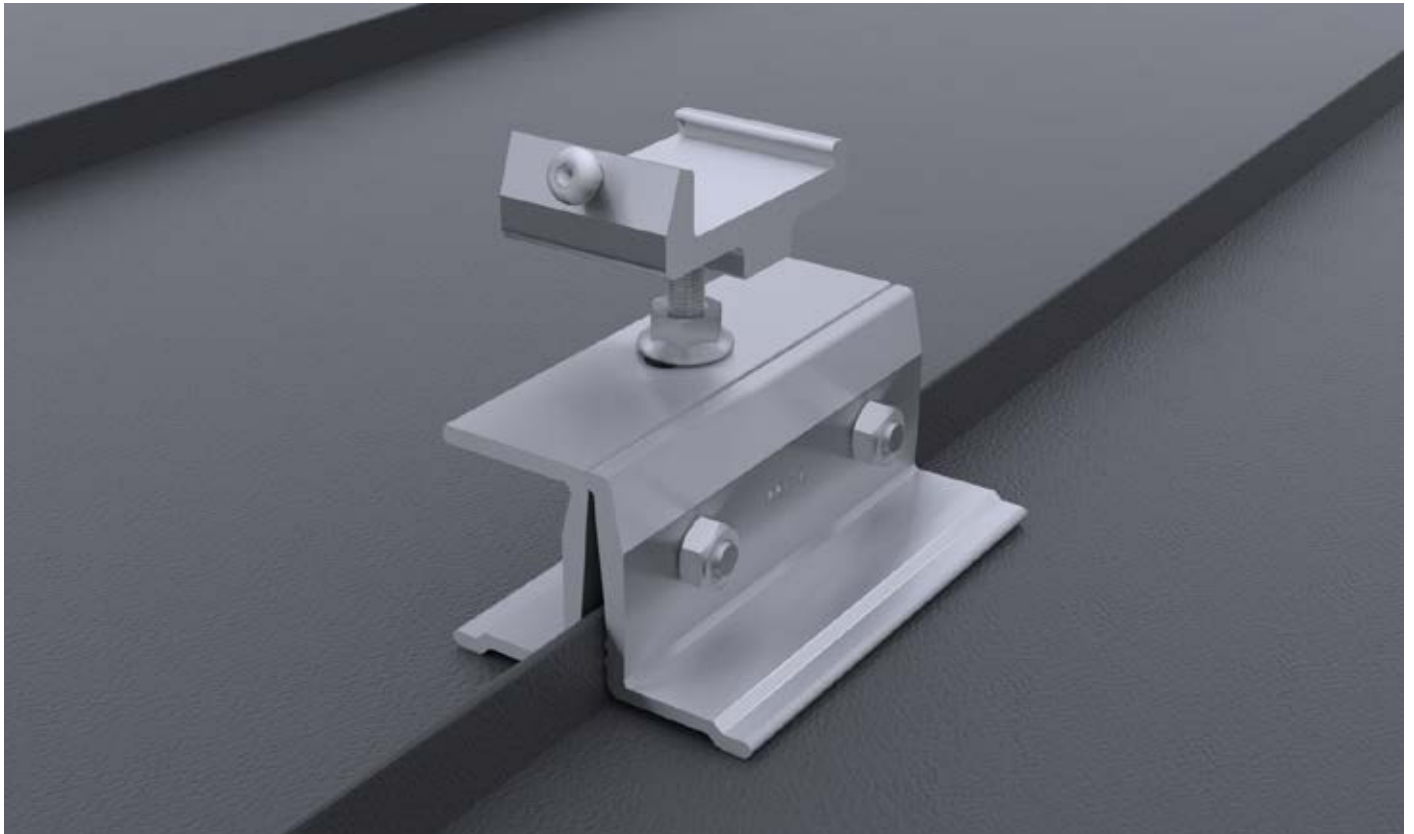




PREFALZ VARIO SOLAR BRACKET

INSTALLATION INFORMATION



PRODUCT FEATURES

Simple installation and secure hold on Prefalz and Falzonal double standing seam systems. The longitudinal expansion of the laminates is not affected by the installation of the Prefalz Vario solar bracket. Can be installed on PREFA preformed fixed clip, preformed sliding clip and preformed long sliding clip. During installation, the structurally defined fold clearance or the structurally defined maximum distance between clamps should be adhered to.

- ! Maximum distance between clamps: 33 cm
- ! Only in combination with a Prefalz or Falzonal double standing seam roofing that has been installed according to the applicable standards/specialist regulations with full boarding of at least 24 mm, a structurally weight-bearing wooden substructure and original PREFA fixings
- ! The solar bracket is only designed for roof-parallel systems (no elevations etc.)
- ! The exact quantities can be determined by the PREFA Application Technology or with the help of a structural engineer
- ! Can be used with trays with clip relief

TOOLS REQUIRED:

Torque wrench, 17 mm nut, measuring tape, ratcheting combination spanner SW 19





PREFALZ VARIO SOLAR BRACKET

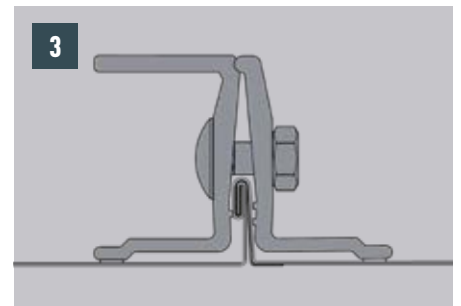
INSTALLATION INFORMATION



1 In the modular panel area (see fig. 7) the maximum 33 cm distance between clamps (centre to centre) must not be exceeded.



2 Before positioning the solar bracket, the screws must be loosened. Pay attention to the installation direction of the bracket.



3 The installation direction of the bracket should be selected so that the threaded rod can then be mounted on the fold side.



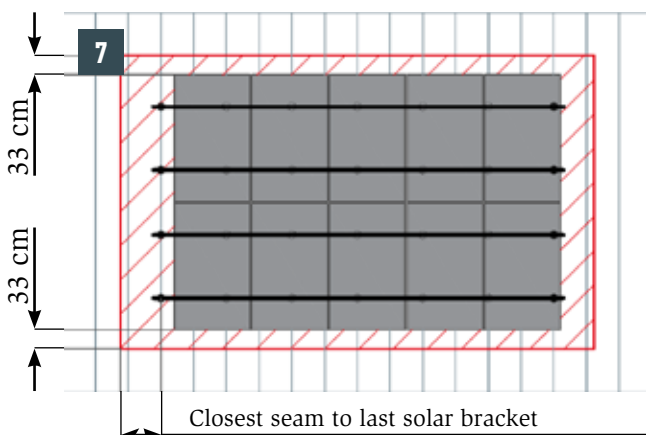
4 The two stainless steel nuts should be tightened to a torque of 35 Nm.



5 The threaded rod should be loosely attached, including the rail holding clamp and lock nuts.



6 Hand-tighten the lock nuts so that if necessary the height of the rail holding clamp can be adjusted later.



- Area with max. 33 cm between clamps
- Prefalz/Falzonal double standing seam
- Profile rail/Horizontal rail with Prefalz Vario solar bracket

PREFA CLAMP INSTALLATION AREA

The area of the limited clamp distance extends to 33 cm above the top or below the bottom row of modules. The closest seam to the last solar bracket on each side should still in each case be fixed with a clamp distance of max. 33 cm.

Profile rail bracket

Nut M12

Threaded rod

Nut M10

Carriage bolt M10

PREFALZ Vario solar bracket

